

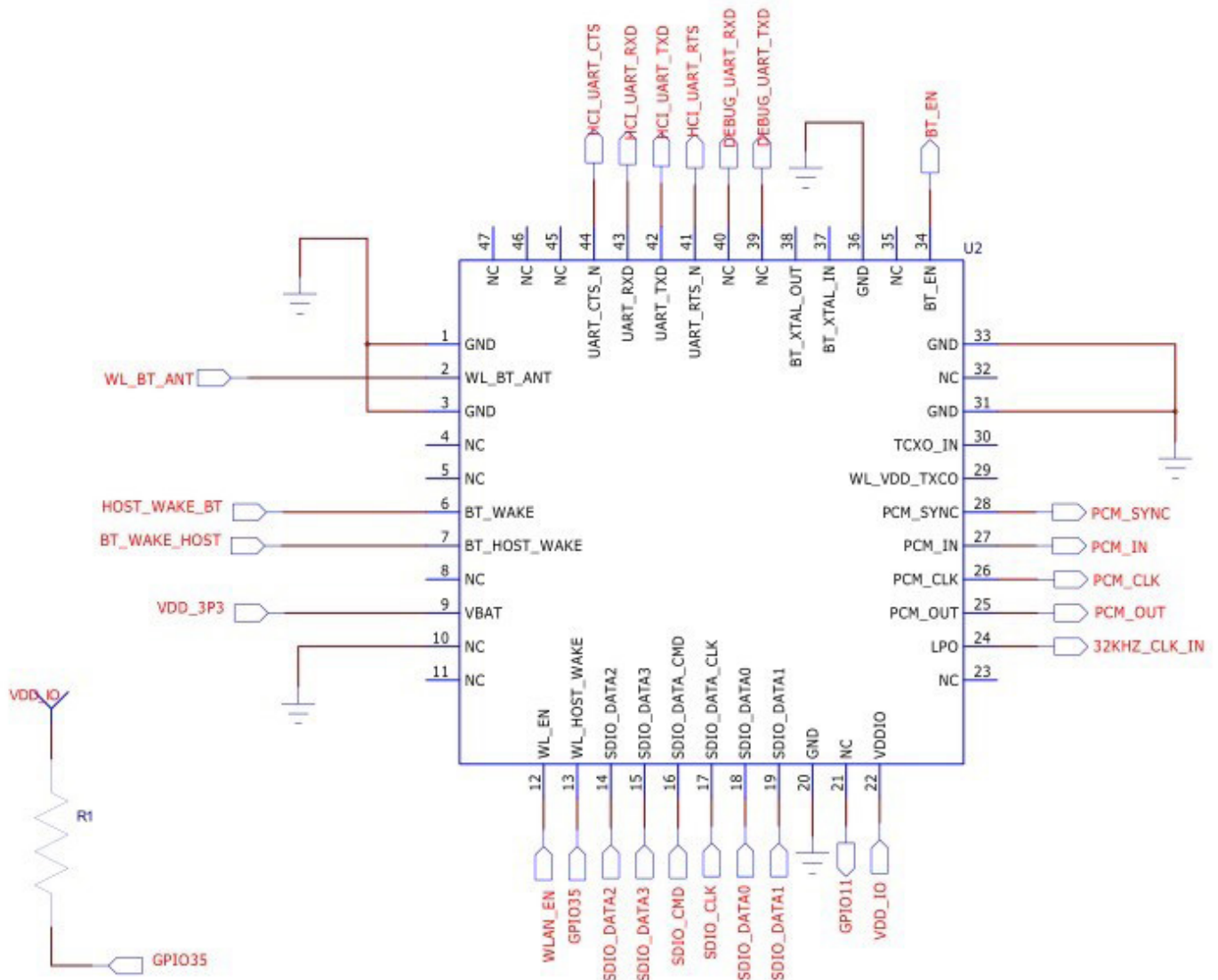
GPIO Pin Mapping

No.	Name	Type	Description	No.	Name	Type	Description
1	GND	-	Ground connections	23	NC	-	Floating (Don't connect to ground)
2	WL_BT_ANT	I/O	RF I/O port	24	LPO	I	External Low Power Clock input (32.768KHz)
3	GND	-	Ground connections	25	PCM_OUT	O	PCM Data output
4	NC	-	Floating (Don't connect to ground)	26	PCM_CLK	I/O	PCM clock
5	NC	-	Floating (Don't connect to ground)	27	PCM_IN	I	PCM data input
6	HOST_WAKE_BT	I	HOST to wake-up Bluetooth device	28	PCM_SYNC	I/O	PCM sync signal
7	BT_WAKE_HOST	O	Bluetooth device to wake-up HOST	29	NC	-	Floating (Don't connect to ground)
8	NC	-	Floating (Don't connect to ground)	30	NC	-	Floating (Don't connect to ground)
9	VCC33	P	Main power voltage source input 3.3V	31	GND	-	Ground connections
10	GND	-	Ground connections	32	NC	-	Floating (Don't connect to ground)
11	NC	-	Floating (Don't connect to ground)	33	GND	-	Ground connections
12	WL_EN	I	Enable pin for WLAN device ON: pull high ; OFF: pull low	34	BT_EN	I	Enable pin for Bluetooth device ON: pull high ; OFF: pull low
13	WL_HOST_WAKE	O	WLAN to wake-up HOST	35	NC	-	Floating (Don't connect to ground)
14	SDIO_DATA_2	I/O	SDIO data line 2	36	GND	-	Ground connections
15	SDIO_DATA_3	I/O	SDIO data line 3	37	NC	-	Floating (Don't connect to ground)
16	SDIO_DATA_CMD	I/O	SDIO command line	38	NC	-	Floating (Don't connect to ground)
17	SDIO_DATA_CLK	I/O	SDIO clock line	39	Debug_UART_TXD	O	Floating (Don't connect to ground)
18	SDIO_DATA_0	I/O	SDIO data line 0	40	Debug_UART_RXD	I	Floating (Don't connect to ground)
19	SDIO_DATA_1	I/O	SDIO data line 1	41	UART_RTS_N	O	Bluetooth UART interface
20	GND	-	Ground connections	42	UART_TXD	O	Bluetooth UART interface
21	GPIO11	-	Reserved	43	UART_RXD	I	Bluetooth UART interface
22	VDDIO	P	I/O Voltage supply input 1.8V or 3.3V	44	UART_CTS_N	I	Bluetooth UART interface

Relative Pin Positions

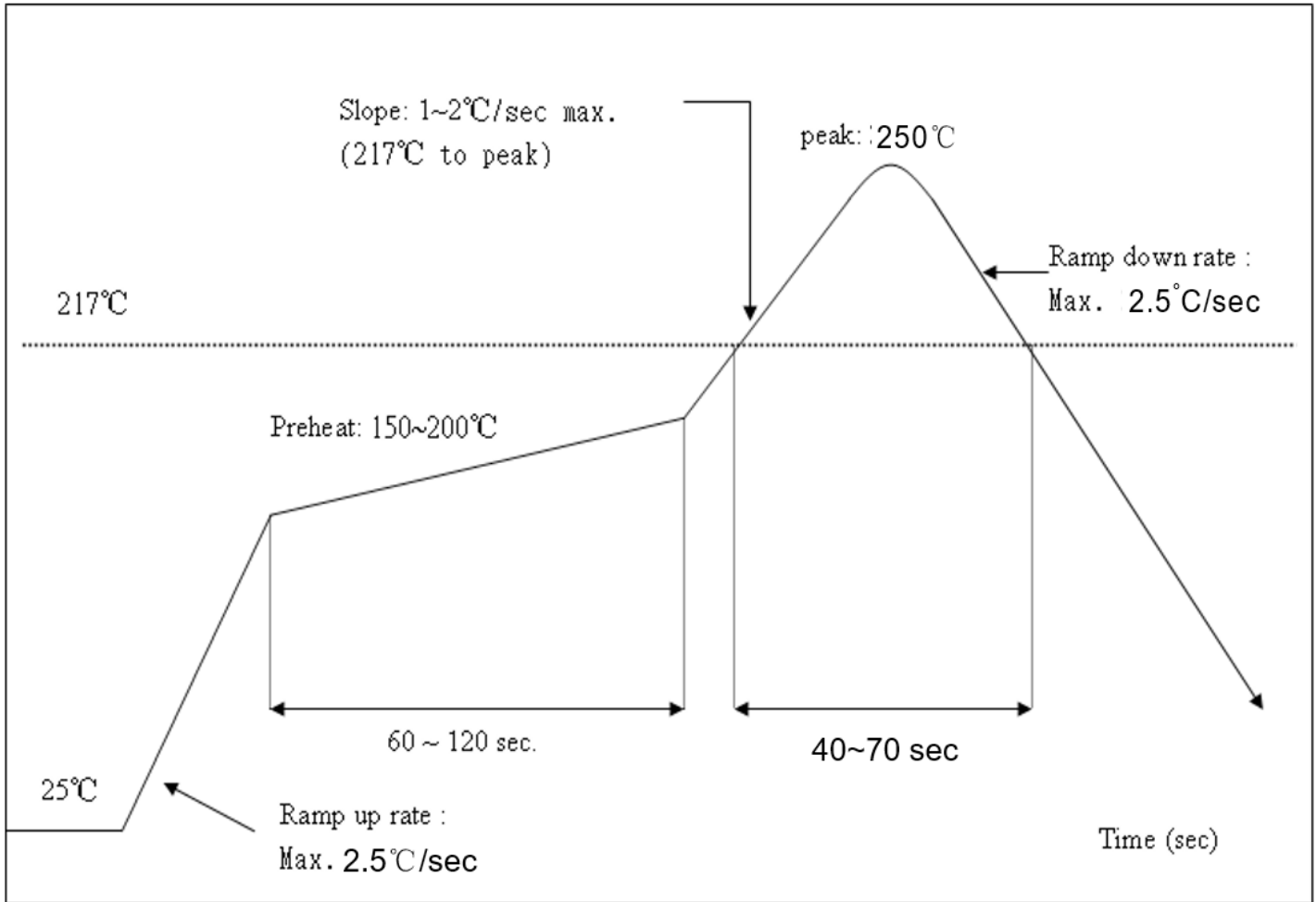


Schematic

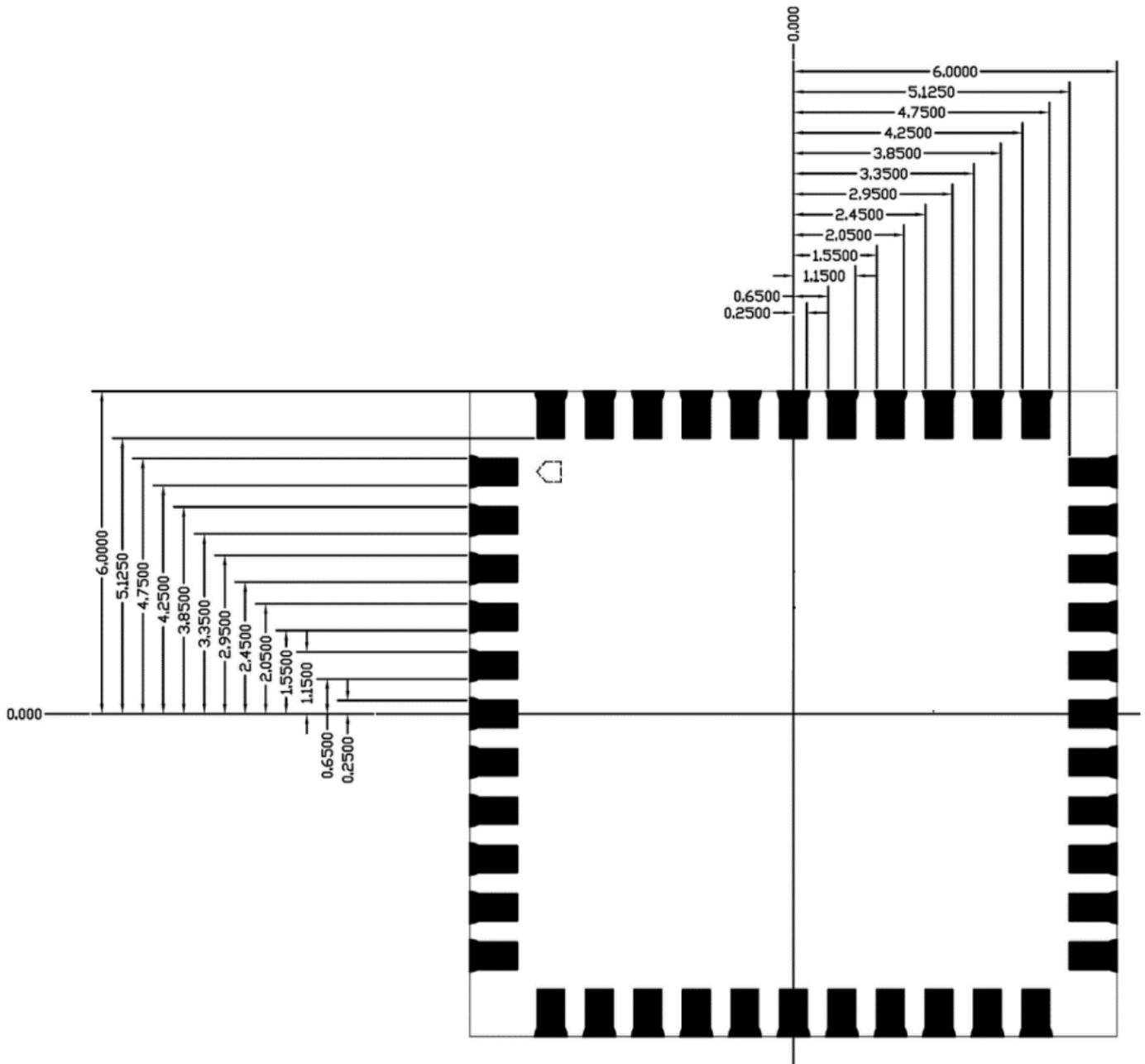


Reflow Temperature Profile

Please refer to IPC/JEDEC standard.
Peak Temperature < 250°C.
Number of Times ≤ 2 times.

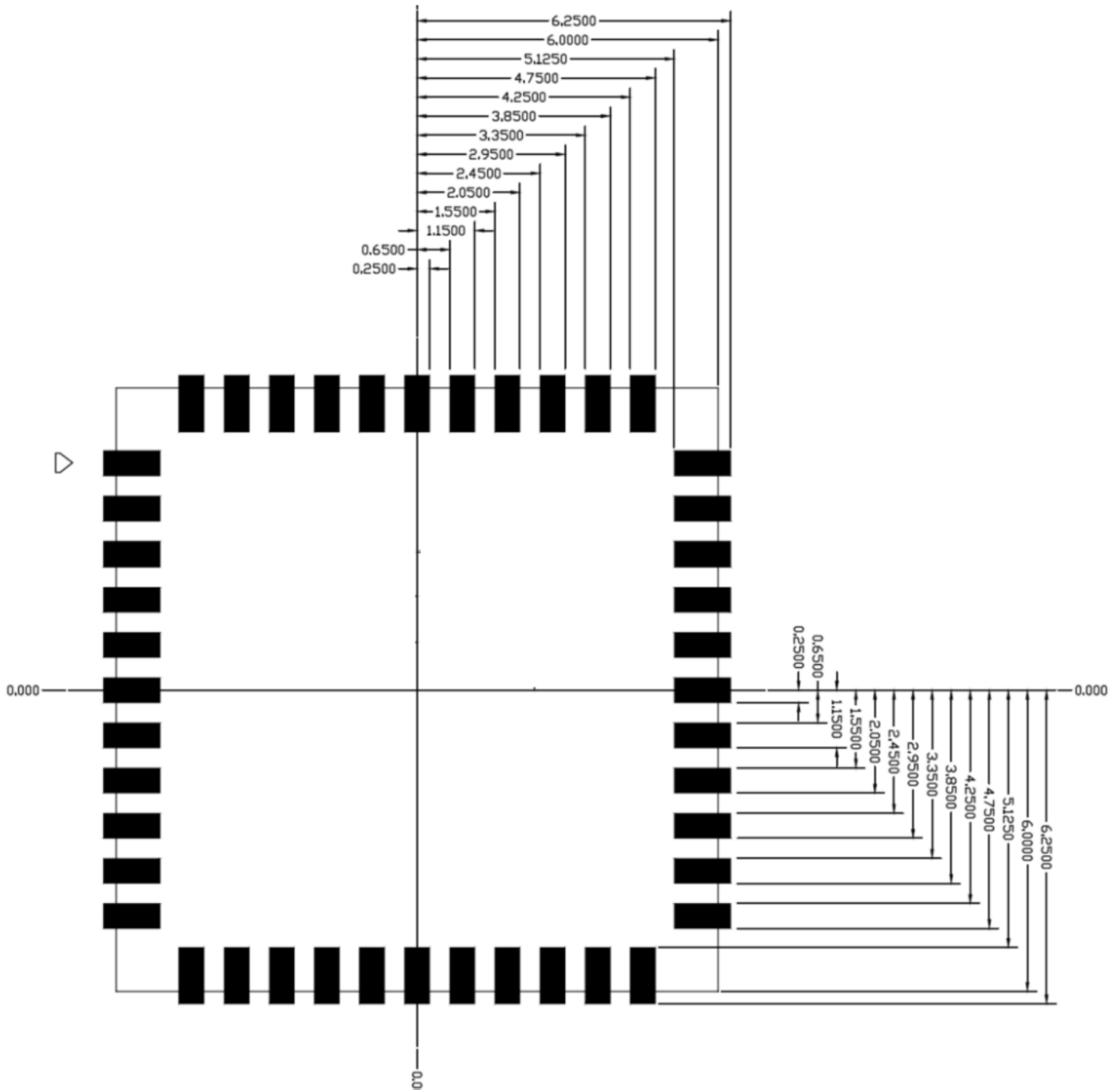


Module Dimensions



Units are in mm.

Pad Layout



Units are in mm.