

5GHz 2x2 MU-MIMO 802.11ac Mini PCIe WiFi Module Designed for Next Generation 802.11ac Wave 2 Access Points



Model: WLE650V5-18A-I

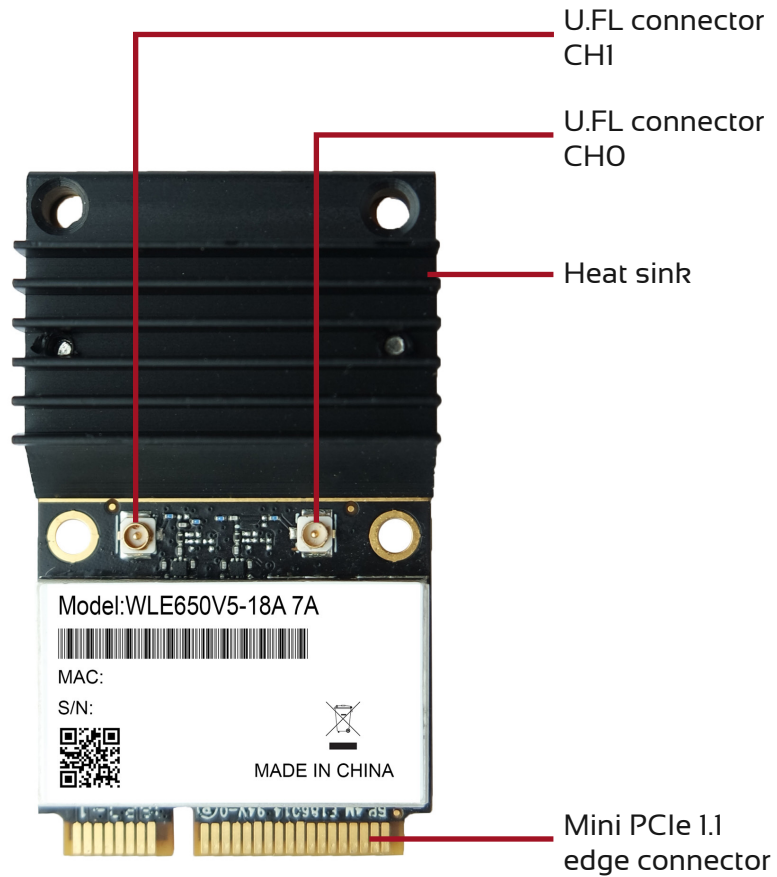
KEY FEATURES

- Qualcomm Atheros QCA9898
- 5GHz Max 18dBm output power (per chain)
- IEEE 802.11ac compliant & backward compatible with 802.11a/n
- Heat sink allows free air operation
- 2x2 MIMO Technology, up to 867Mbps
- 2 spatial streams (2SS) at 80MHz bandwidth
- 1 spatial stream (1SS) at 80+80MHz bandwidth
- Supports Spatial Multiplexing, Cyclic Delay Diversity (CDD), Low-Density Parity-Check (LDPC) Codes, Maximal Ratio Combining (MRC), Space Time Block Code (STBC)
- Supports IEEE 802.11d, e, h, i, k, r, v time stamp, and w standards
- Supports Dynamic Frequency Selection (DFS)

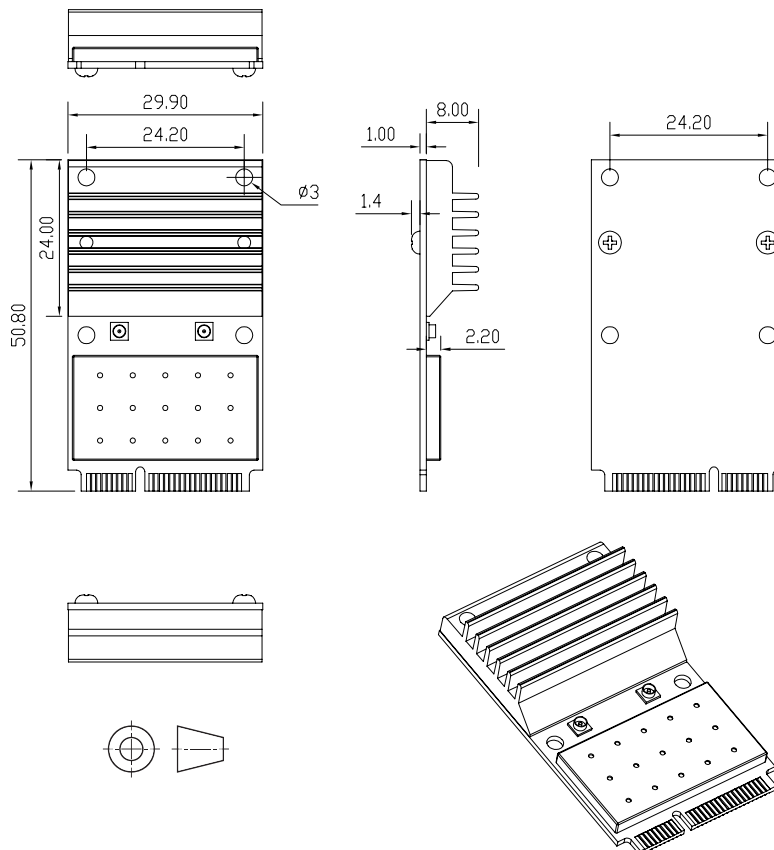
Specifications

Chipset	QCA9898
Host Interface	Mini PCI Express 1.2 Standard
Operating Voltage	DC 3.3V
Antenna Connector	2x U.FL
Frequency Range	5.180 ~ 5.825 GHz
Certification	TBD
Power Consumption	5.6W (Max)
Supported Operating System	CompexWRT ≥ v3.1.3 or OpenWRT/LEDE kernel ≥ v4.13.0 on WPJ558, WPJ563, WPQ864, and WPQ865
Modulation Techniques	BPSK, QPSK, DBPSK, DQPSK, 16-QAM, 64-QAM, 256-QAM
Temperature Range	Operating: -20°C to 70°C Storage: -40°C to 90°C
Humidity	Operating: 5% to 95% (non-condensing) Storage: Max. 90% (non-condensing)
ESD Sensitivity	Class 1C
Dimensions (H x W x D)	50.8 x 29.9 x 10.4 mm

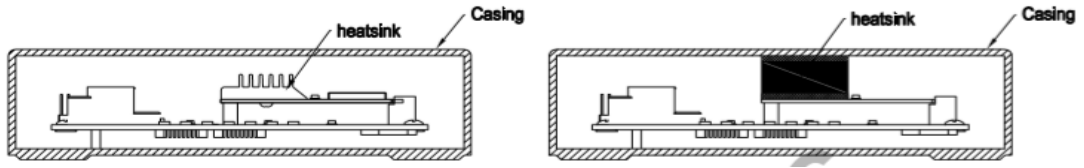
Connector Map



Mechanical Dimensions



Heatsink Options



Ordering Configuration

Item Code	Model	Description
WLE650V5-18A 7A0000-I	WLE650V5-18A-I	Industrial Grade 2x2 802.11a/n/ac 5GHz miniPCIe card