

Single Band 5GHz 2x2 MIMO 802.11ac Mini PCIe WiFi Module Designed for High Power Enterprise Wireless Access Points

Model: WLE600V5-27ESD-I



KEY FEATURES

- Qualcomm Atheros QCA9892
- Industrial Grade Chipset
- 5GHz max 27dBm output power (per chain) , 30dBm (aggregate)
- IEEE 802.11ac compliant & backward compatible with 802.11a/n
- 2x2 MIMO Technology, up to 867Mbps
- Built-in ESD Protection with ESD/EMP Immunity Threshold: 15KeV¹
- Mini PCI Express edge connector
- Supports Spatial Multiplexing, Cyclic Delay Diversity (CDD), Low-Density Parity-Check (LDPC) Codes, Maximal Ratio Combining (MRC), Space Time Block Code (STBC)
- Supports IEEE 802.11d, e, h, i, k, r, v time stamp, and w standards
- Supports Dynamic Frequency Selection (DFS)
- Cards are individually calibrated for Quality Assurance

Specifications

Chipset	QCA9892
Host Interface	Mini PCI Express 1.2 Standard
Operating Voltage	DC 3.3V, 5V ²
Antenna Connector	2x MMCX
Frequency Range	5.180 ~ 5.825 GHz
Certification	CE, FCC, IC, RoHS
Power Consumption	7.5W (Max)
Supported Operating System	Supported by either CompexWRT with Atheros Reference Wireless Driver OR OpenWRT/LEDE with ath10k Wireless Driver on WPJ344
Modulation Techniques	BPSK, QPSK, DBPSK, DQPSK, 16-QAM, 64-QAM, 256-QAM
Temperature Range	Operating: -40°C to 70°C (TBC) with normal heatsink, -40°C to 85°C (TBC) with large heatsink Storage: -40°C to 90°C
Humidity	Operating: 5% to 95% (non-condensing) Storage: Max. 90% (non-condensing)
Dimensions (W x H x D) in mm	50.0 x 51.0 x 12.5 with normal heatsink, 95.0 x 51.0 x 13.0 mm with large heatsink

1. Module grounding cable included.

2. 5V supply is compulsory. Enable this by placing jumper on pin pair J5 on the WPJ344/WPJ558 board.

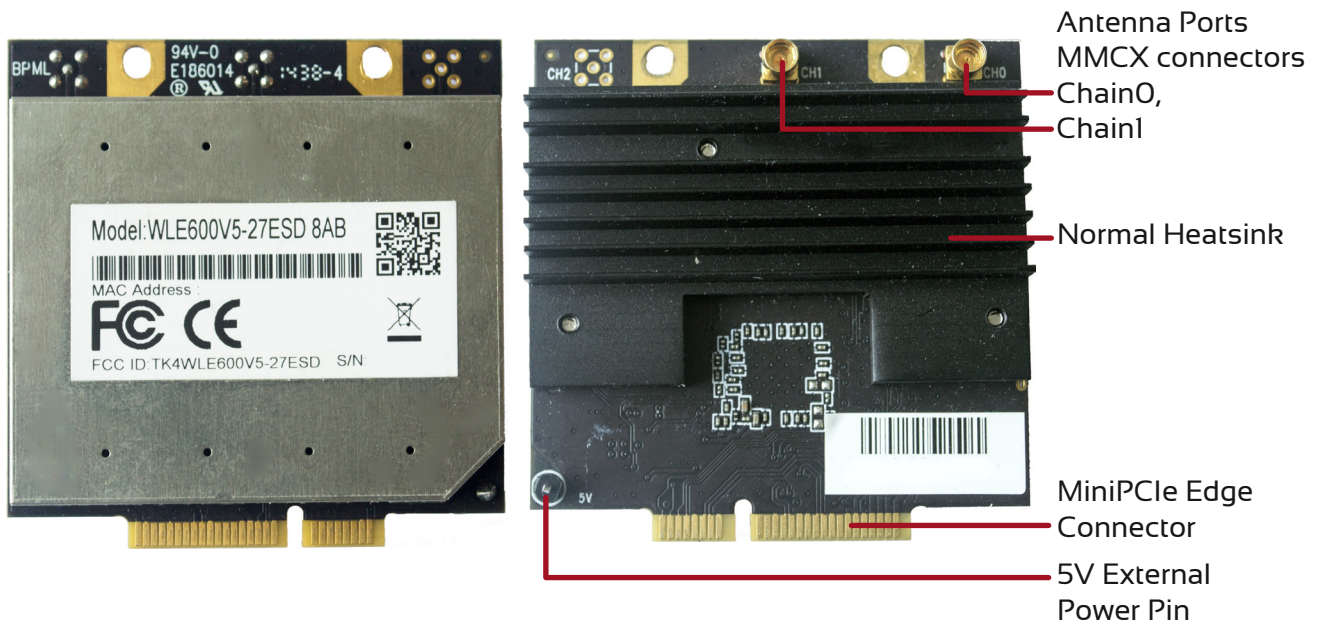
Otherwise supply to the 5V external power pin.

RF Performance Table

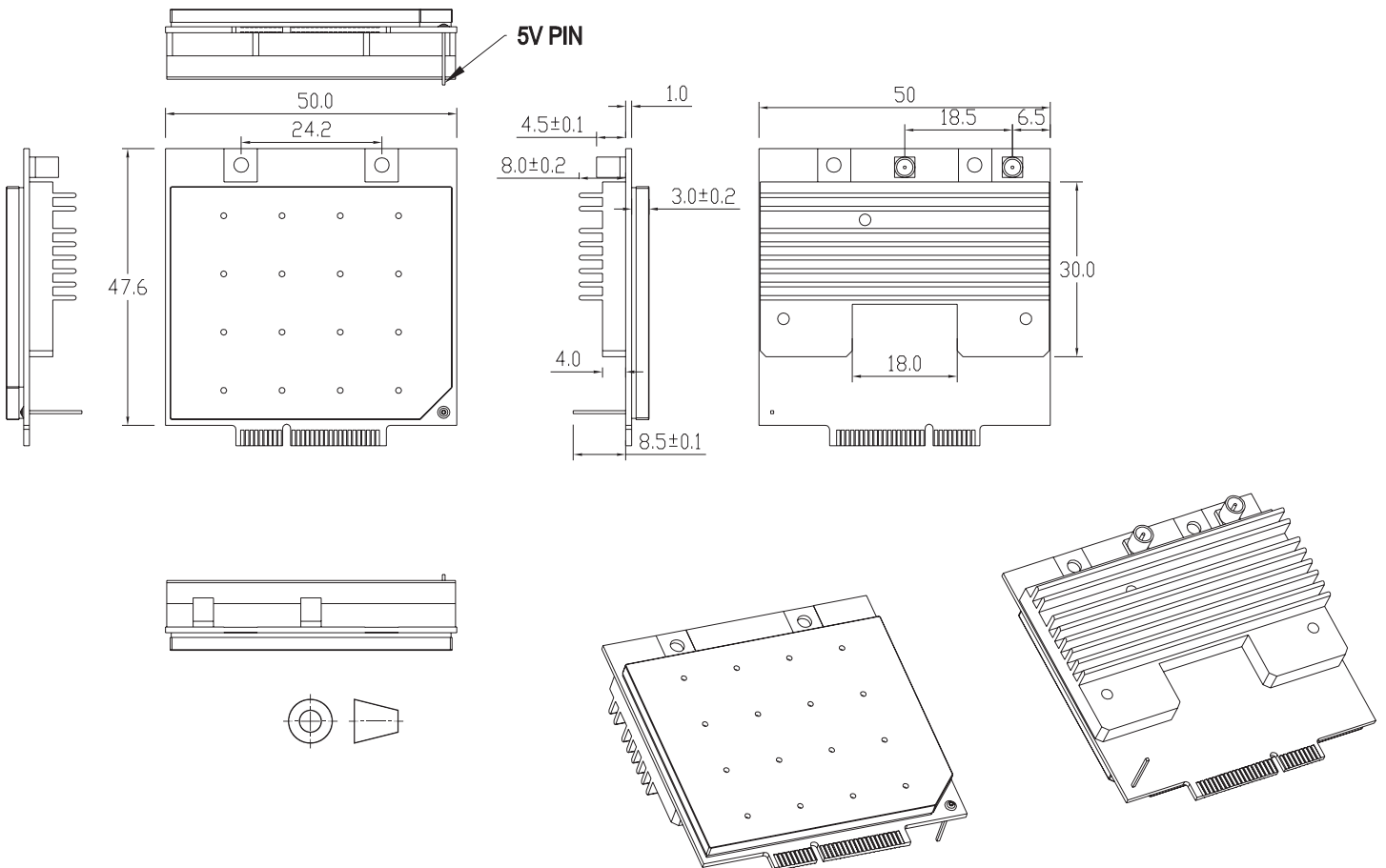
	Data Rate	TX Power (per chain)	TX Power (2 chains)	Tolerance
5GHz 802.11a	6Mbps	27dBm	30dBm	±2dB
	9Mbps	27dBm	30dBm	±2dB
	12Mbps	27dBm	30dBm	±2dB
	18Mbps	27dBm	30dBm	±2dB
	24Mbps	27dBm	30dBm	±2dB
	36Mbps	25dBm	28dBm	±2dB
	48Mbps	24dBm	27dBm	±2dB
	54Mbps	23dBm	26dBm	±2dB
5GHz 802.11n/ac HT20	MCS 0	26dBm	29dBm	±2dB
	MCS 1	25dBm	28dBm	±2dB
	MCS 2	25dBm	28dBm	±2dB
	MCS 3	24dBm	27dBm	±2dB
	MCS 4	24dBm	27dBm	±2dB
	MCS 5	23dBm	26dBm	±2dB
	MCS 6	22dBm	25dBm	±2dB
	MCS 7	21dBm	24dBm	±2dB
5GHz 802.11n/ac HT40	MCS 8	20dBm	23dBm	±2dB
	MCS 0	26dBm	29dBm	±2dB
	MCS 1	25dBm	28dBm	±2dB
	MCS 2	25dBm	28dBm	±2dB
	MCS 3	24dBm	27dBm	±2dB
	MCS 4	24dBm	27dBm	±2dB
	MCS 5	23dBm	26dBm	±2dB
	MCS 6	22dBm	25dBm	±2dB
	MCS 7	21dBm	24dBm	±2dB
	MCS 8	20dBm	23dBm	±2dB
5GHz 802.11ac HT80	MCS 9	19dBm	22dBm	±2dB
	MCS 0	26dBm	29dBm	±2dB
	MCS 1	25dBm	28dBm	±2dB
	MCS 2	25dBm	28dBm	±2dB
	MCS 3	24dBm	27dBm	±2dB
	MCS 4	24dBm	27dBm	±2dB
	MCS 5	23dBm	26dBm	±2dB
	MCS 6	22dBm	25dBm	±2dB
	MCS 7	21dBm	24dBm	±2dB
	MCS 8	20dBm	23dBm	±2dB

	Data Rate	RX Specifications Sensitivity	Tolerance
5GHz 802.11a	6Mbps	-94dBm	±2dB
	9Mbps	-94dBm	±2dB
	12Mbps	-94dBm	±2dB
	18Mbps	-92dBm	±2dB
	24Mbps	-89dBm	±2dB
	36Mbps	-86dBm	±2dB
	48Mbps	-82dBm	±2dB
	54Mbps	-80dBm	±2dB
5GHz 802.11n/ac HT20	MCS 0	-94dBm	±2dB
	MCS 1	-94dBm	±2dB
	MCS 2	-92dBm	±2dB
	MCS 3	-88dBm	±2dB
	MCS 4	-84dBm	±2dB
	MCS 5	-81dBm	±2dB
	MCS 6	-78dBm	±2dB
	MCS 7	-77dBm	±2dB
5GHz 802.11n/ac HT40	MCS 8	-74dBm	±2dB
	MCS 0	-94dBm	±2dB
	MCS 1	-94dBm	±2dB
	MCS 2	-92dBm	±2dB
	MCS 3	-88dBm	±2dB
	MCS 4	-84dBm	±2dB
	MCS 5	-81dBm	±2dB
	MCS 6	-78dBm	±2dB
	MCS 7	-77dBm	±2dB
	MCS 8	-73dBm	±2dB
5GHz 802.11ac HT80	MCS 9	-71dBm	±2dB
	MCS 0	-89dBm	±2dB
	MCS 1	-88dBm	±2dB
	MCS 2	-85dBm	±2dB
	MCS 3	-81dBm	±2dB
	MCS 4	-79dBm	±2dB
	MCS 5	-75dBm	±2dB
	MCS 6	-74dBm	±2dB
	MCS 7	-72dBm	±2dB
	MCS 8	-70dBm	±2dB

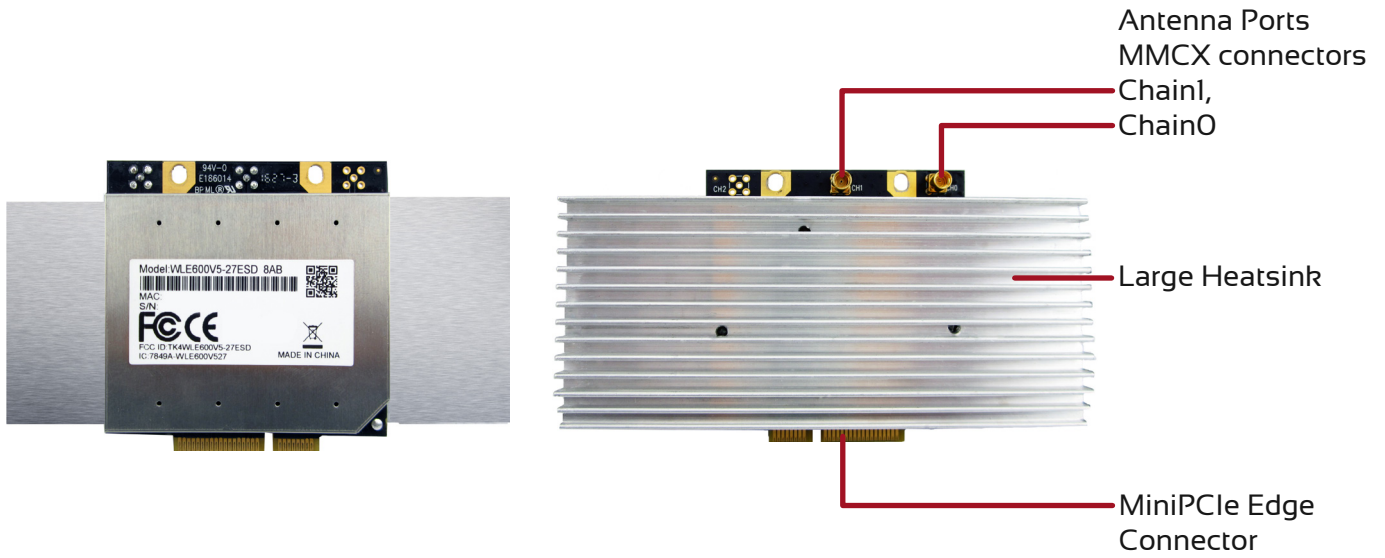
Connector Map with Normal Heatsink



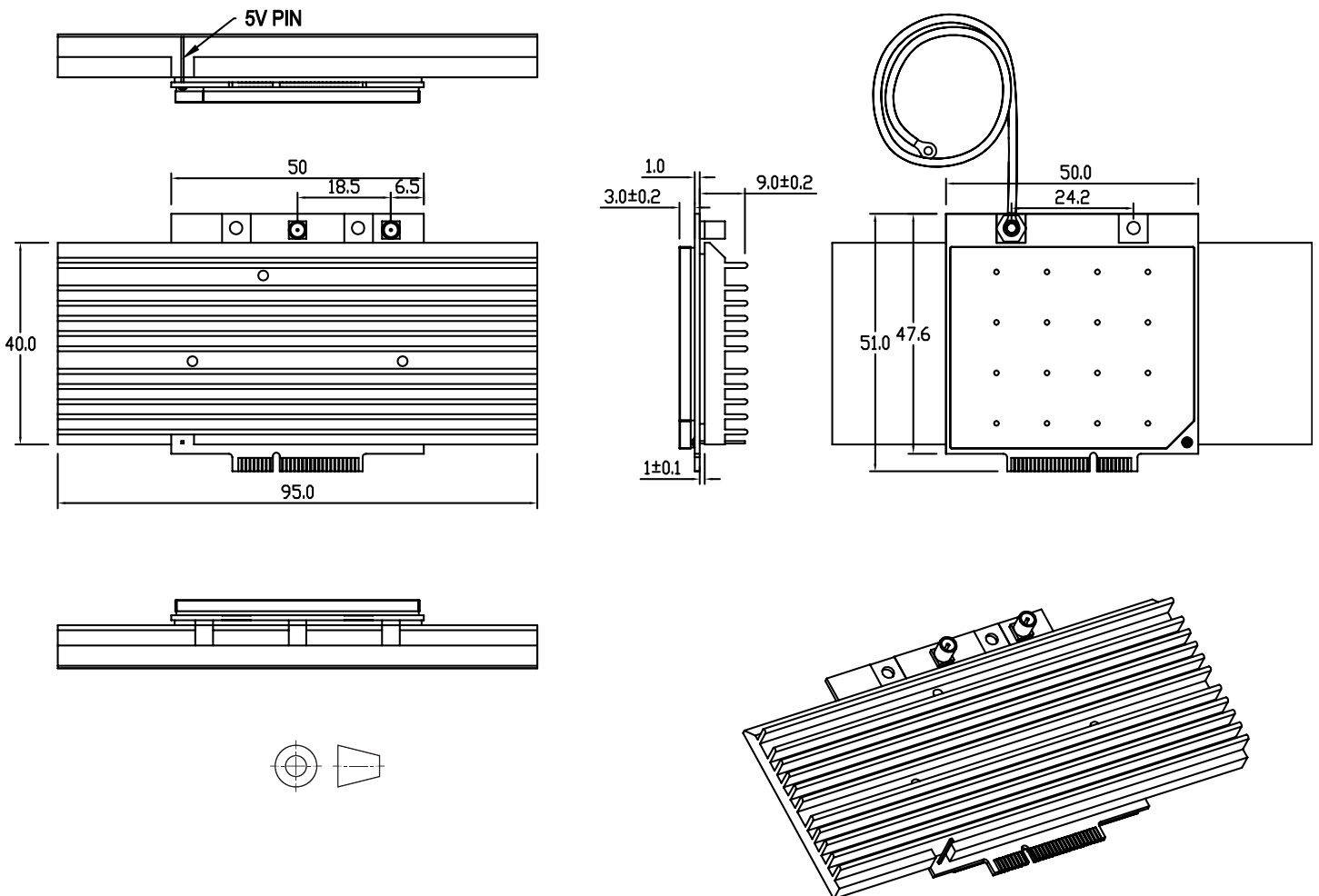
Mechanical Dimensions with Normal Heatsink



Connector Map with Large Heatsink Option



Mechanical Dimensions with Large Heatsink Option



Ordering Configuration

Item Code	Model	Description
WLE600V5-27 8BB000ESD-I	WLE600V5-27ESD-I	Industrial Grade 2x2 802.11ac 5GHz High Power with Normal Heatsink
Please contact Sales for this option	WLE600V5-27ESD-I	Industrial Grade 2x2 802.11ac 5GHz High Power with Large Heatsink