

Outdoor Enclosure with 5GHz 25dBi Panel Antenna



Model: MPE-5N25

KEY FEATURES

- Dual Polarization Directional Antenna
- 25dBi Long Distance Antenna
- High Isolation of > 45dB for entire 5GHz spectrum
- Weatherproof IP66 Enclosure

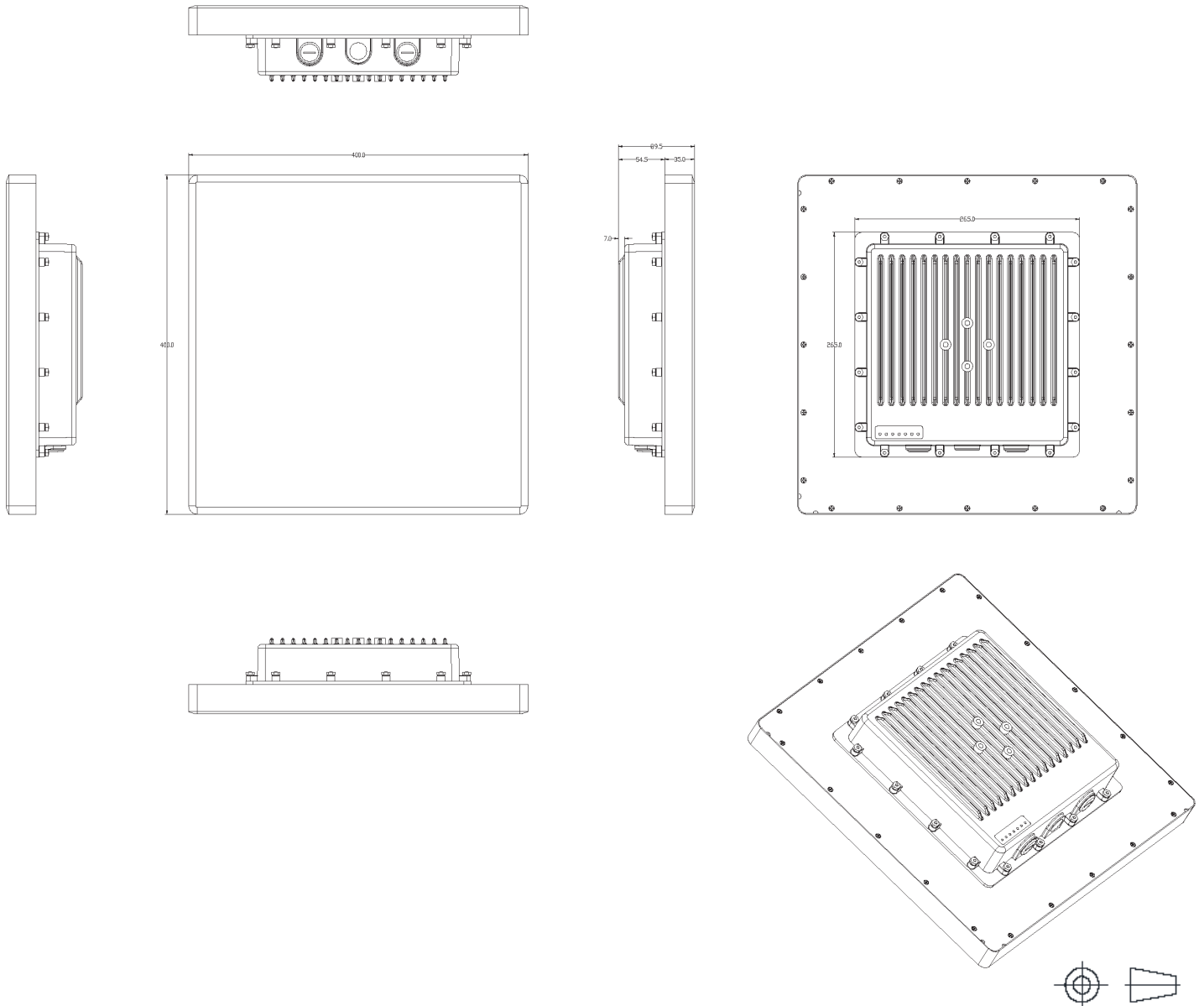
APPLICATIONS

- Outdoor Long Distance Point-to-Point (PtP) AP
- Point-to-MultiPoint (PtMP) AP
- Outdoor Mesh AP
- 2x2 802.11ac Radio Outdoor Solutions
- 2x2 802.11an Radio Outdoor Solutions

Enclosure Specifications

Material	ABS/PC, Flame Retardant
Color	White
Weight	3.4kg
Outside Dimensions (H x W x D)	400mm x 400mm x 89.5mm
Inside Dimensions (H x W x D)	230mm x 230mm x 45mm
Integrated Antenna	5GHz 25dBi panel antenna
Casing	Weatherproof Structure
Rating of Enclosure	IP66
Mounting	Pole Mount
Grounding Terminal	Built-in Grounding Terminal

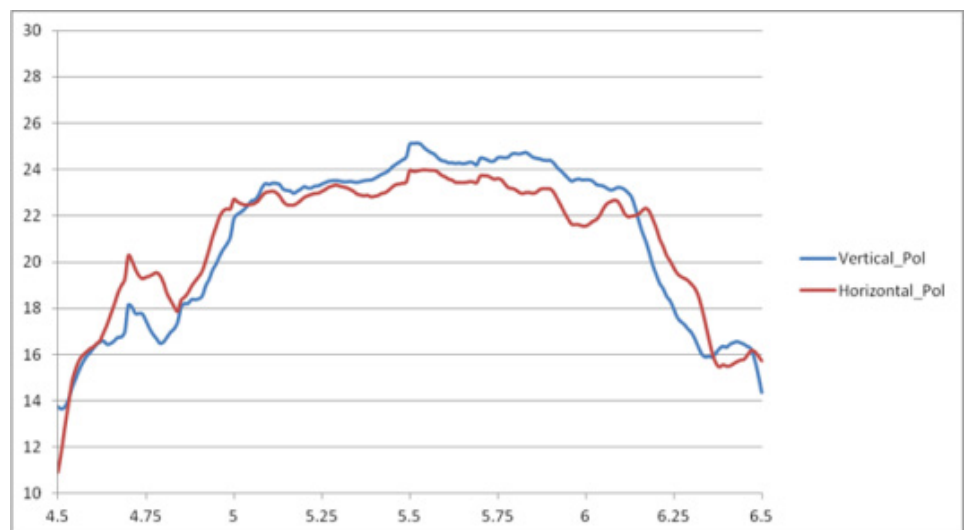
Dimensional Drawing



Antenna Element Specifications

Gain	25dBi
Radiation	Directional
Connectors	2x MMCX or U.FL Antenna Connectors
Frequency Range	5.18 ~ 5.85 GHz
Polarization	Dual Polarization
Azimuth -3dB Beamwidth	Horizontal (Port 2) : 9 degrees, Vertical (Port 1) : 9 degrees
Elevation -3dB Beamwidth	Horizontal (Port 2) : 8 degrees, Vertical (Port 1) : 8 degrees
Isolation	45dB (Min)
Front-to-Back Ratio	30dB (Min)
VSWR	Horizontal (Port 2) : < 1.7:1, Vertical (Port 1) : < 1.7:1
SideLobe	< -10dB
Dimensions of antenna PCB (H x W x D)	300mm x 298mm x 1mm
Dimensions of metal ground plane reflector (H x W x D)	398mm x 398mm x 2.5mm

Gain Plot

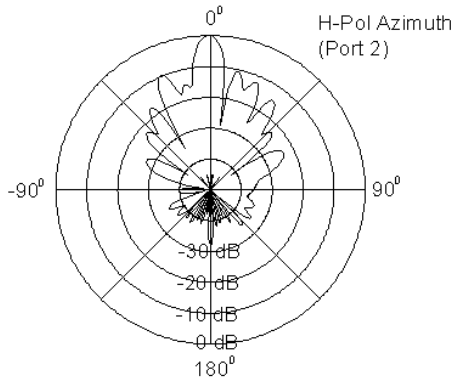


S-Parameters Graph:
Return Loss
and Isolation

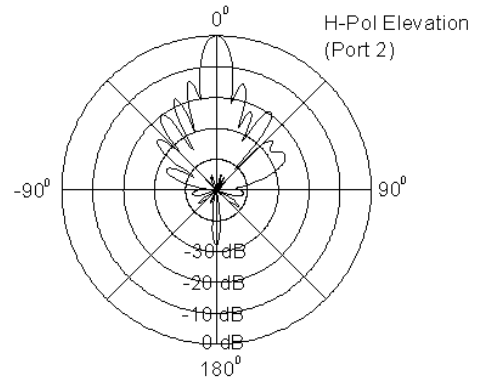


Antenna Element Specifications

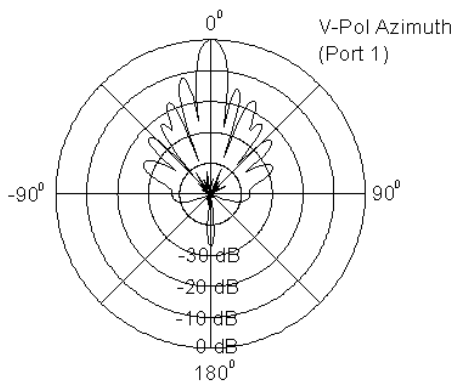
Polar Plots (At 5.6 GHz)



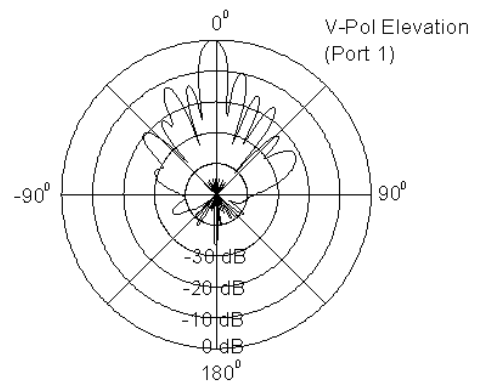
H-Pol Azimuth



H-Pol Elevation



V-Pol Azimuth



V-Pol Elevation